

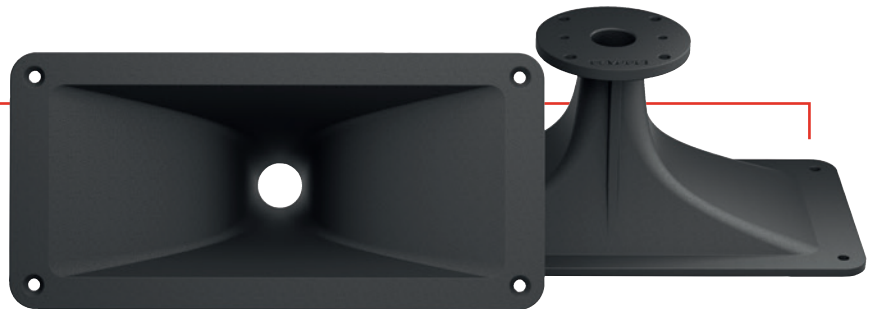
# HD1003

Lavoce

## 1" THROAT ENTRY HORN

**OEM only**

- 90° x 40° NOMINAL COVERAGE
- CUT-OFF FREQUENCY 1000 Hz
- ALUMINIUM CONSTRUCTION TO ENSURE HIGH MECHANICAL STRENGTH AND HEAT DISSIPATION
- FEM OPTIMIZED EXPONENTIAL FLARE



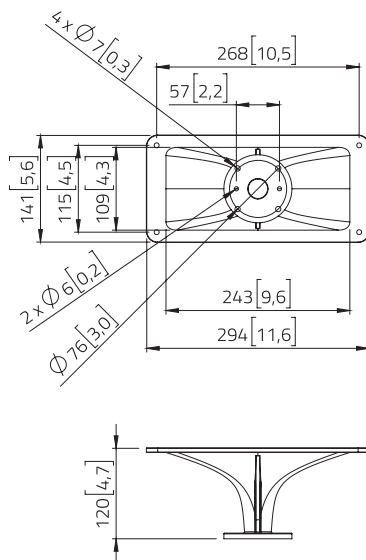
### GENERAL SPECIFICATIONS

Throat diameter	mm (in.)	25 (1)
Horizontal nominal coverage	°	90
Vertical nominal coverage	°	40
Cutoff Frequency	Hz	1000
Material	Aluminium	

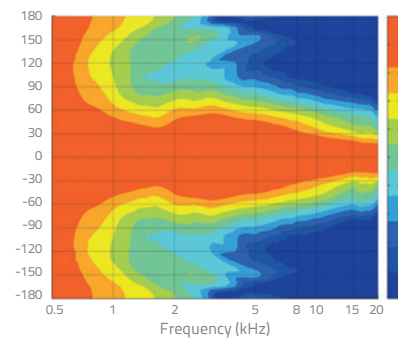
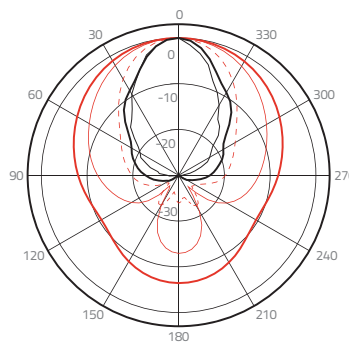
### SHIPPING INFORMATION

Net weight	kg (lb.)	0,5 (1.1)
Multipack size (18)	mm	614 x 502 x 238
W x D x H	(in.)	(24.2 x 19.8 x 9.4)
Multipack weight	kg (lb.)	12,5 (27.5)

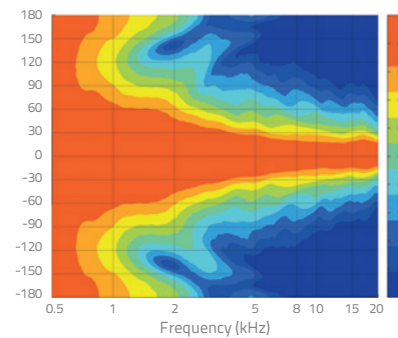
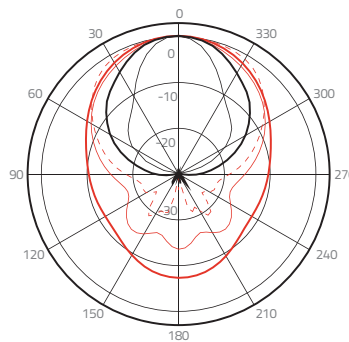
### DIMENSIONS mm (in.)



### HORIZONTAL ANGLE\*



### VERTICAL ANGLE\*



\* Horn measured using LAVOCE DN10.17T compression driver  
All specifications subject to change without notice\_B.a

1 kHz 2 kHz 4 kHz 8 kHz 16 kHz

[WWW.LAVOCESPEAKERS.COM](http://WWW.LAVOCESPEAKERS.COM)



Lavoce Italiana

[sales@lavocespeakers.com](mailto:sales@lavocespeakers.com) [sales.cn@lavocespeakers.com](mailto:sales.cn@lavocespeakers.com)