

DN07.10LM

Lavoce

0,75" COMPRESSION DRIVER

NEODYMIUM MAGNET



- 1 INCH CCAW VOICE COIL
- 109 dB/SPL SENSITIVITY
- 20 W PROGRAM POWER HANDLING
- FEM OPTIMIZED MOTOR, PHASEPLUG AND DIAPHRAGM
- 2000 - 18000 Hz FREQUENCY RANGE
- POLYESTER DIAPHRAGM

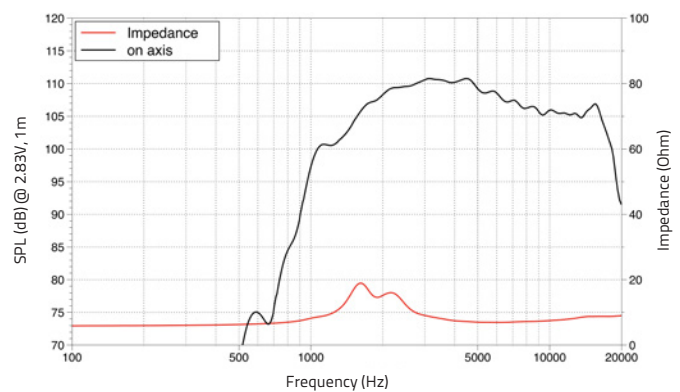
GENERAL SPECIFICATIONS

Throat diameter	mm (in.)	19 (0,75)
Nominal impedance	Ω	8
Minimum impedance	Ω	6,8
Program power (1)	W	20
AES Power rating (2)	W	10
Sensitivity (3)	dB	109
Frequency range	Hz	2000 ÷ 18000
Voice coil diameter	mm (in.)	25,4 (1)
Magnet material	Neodymium	
Magnet OD	mm (in.)	46 (1.8)
Coil material	CCAW	
Former material	Kapton	
Diaphragm material	Polyester	
Surround material	Polyester	
Voice coil Inductance	mH	0,04
Flux density	T	1,65
Recommended crossover (4)	Hz	2500
Driver displacement volume	l (ft ³)	0,04 (0.001)

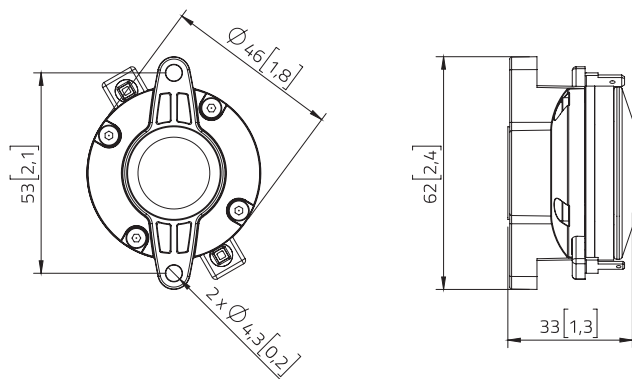
SHIPPING INFORMATION

Net weight	kg (lb.)	0,15 (0.33)
Multipack size (18)	mm (in.)	252 x 230 x 125 (9.9 x 9 x 4.9)
Multipack weight	kg (lb.)	3,6 (7.9)

FREQUENCY RESPONSE



DIMENSIONS mm (in.)



(1) Program power is defined as 3 dB greater than AES Power. (2) Horn loaded test for 2h with continuous, band-limited (2500-20000 Hz, 12dB/oct.) pink noise as per AES 2-1984 Rev. 2003. (3) Measured on axis at 2.83V, 1m, driver loaded with 60° x 40° horn, SPL averaged in the frequency range 2000 ÷ 18000 Hz. (4) High pass filter with slope 12dB/oct. or higher.

All specifications subject to change without notice_C.a

