

WAF124.01

Lavoce

12" WOOFER

FERRITE MAGNET
ALUMINIUM BASKET DRIVER



- 4 INCH COPPER VOICE COIL
- 95 dB/SPL SENSITIVITY
- 2000 WATT PROGRAM POWER HANDLING
- FEM OPTIMIZED MOTOR AND SUSPENSIONS
- OPTIMIZED COOLING SYSTEM
- ALUMINIUM DEMODULATING RING
- DOUBLE SILICON SPIDER
- RESONANCE FREE AND HEAVY DUTY BASKET DESIGN
- TRIPLE ROLL SURROUND

GENERAL SPECIFICATIONS

Nominal diameter	mm (in.)	300 (12)
Nominal impedance	Ω	8
Minimum impedance	Ω	6,7
Program power (1)	W	2000
AES Power rating (2)	W	1000
Sensitivity (3)	dB	95
Frequency range	Hz	40 ÷ 1000
Voice coil diameter	mm (in.)	100 (4)
Chassis material	Aluminium	
Magnet material	Ferrite	
Magnet dimensions OD x ID x h	mm (in.)	220 x 120 x 25 (8.66 x 4.72 x 0.98)
Coil material	Copper	
Former material	Glass fiber	
Cone material	Water Proof Treated Paper	
Surround material	Polycotton	
Xmax (4)	mm (in.)	9 (0.35)
Xmech (5)	mm (in.)	16 (0.63)
Gap height	mm (in.)	12 (0.47)
Voice coil winding height	mm (in.)	24 (0.94)
Driver displacement volume	l (ft ³)	3,2 (0.11)

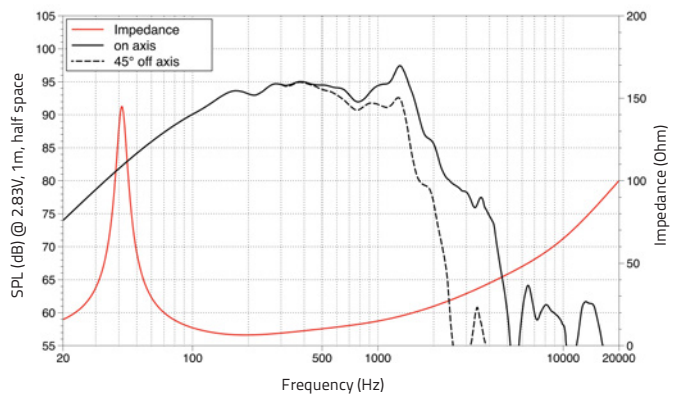
SMALL SIGNAL PARAMETERS

DC resistance	Re	Ohm	5,1
Resonance frequency	Fs	Hz	42
Moving mass	Mms	g (oz)	120 (4.23)
Compliance	Cms	mm/N	0,11
Force factor	BxL	N/A	26,4
Mechanical Q-factor	Qms		6,3
Electrical Q-factor	Qes		0,23
Total Q-factor	Qts		0,22
Equivalent air volume	Vas	l (ft ³)	49 (1.73)
Voice coil Inductance	Le	mH	1,7
Diaphragm area	Sd	cm ² (in. ²)	540 (83.7)
Reference efficiency	Eta 0	%	1,4

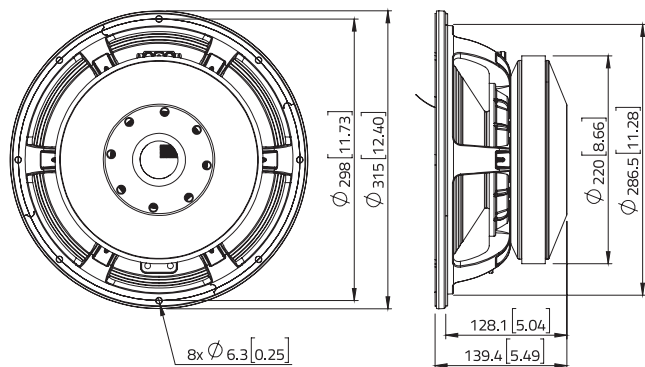
SHIPPING INFORMATION

Net weight	kg (lb.)	12,1 (26.6)
Multipack size (1)	mm (in.)	356 x 356 x 192 (14 x 14 x 7.6)
Multipack weight	kg (lb.)	13,4 (29.5)

FREQUENCY RESPONSE



DIMENSIONS mm (in.)



(1) Program power is defined as 3 dB greater than AES Power. (2) Tested for two hours using a continuous, band-limited pink noise signal as per AES 2-1984 Rev. 2003. Loudspeaker tested in free air. (3) From T/S parameters, measured with Klippel DA LPM module. (4) The Xmax is calculated as: $(Hvc - Hg)/2 + Hg/4$. Hvc is the voice coil height and Hg the gap height. (5) The Xmech is calculated as: $(Hvc - Hg)/2 + (Hg - 2)$. Hvc is the voice coil height and Hg the gap height. (6) Thiele-Small parameters are measured after preconditioning: a) at 20°C - 22°C, 50% humidity for 2 hours; b) by Klippel LSI measurement.

All specifications subject to change without notice_B.a

