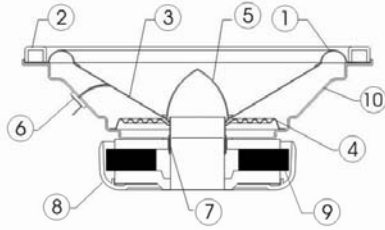




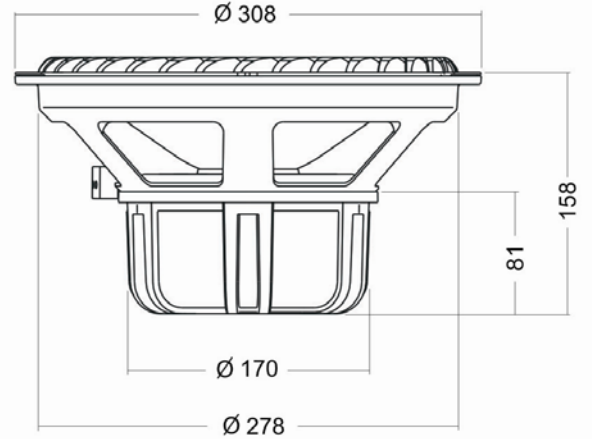
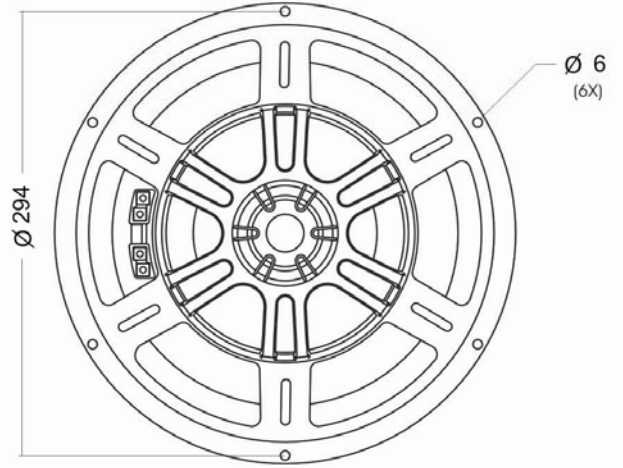
SUB WOOFER

PXW 12

- 1 Surround- TPR material
- 2 Gasket- TPR material
- 3 Cone- PP injected
- 4 Spider- TPR material
- 5 Dust Cap- not present
- 6 Terminal- platinum plated
- 7 Voice coil- 50x20 mm dual fiberglass former
- 8 Magnet system vented 8.0mm, gap height
- 9 Magnet 147x72x28 mm
- 10 Basket frame steel material

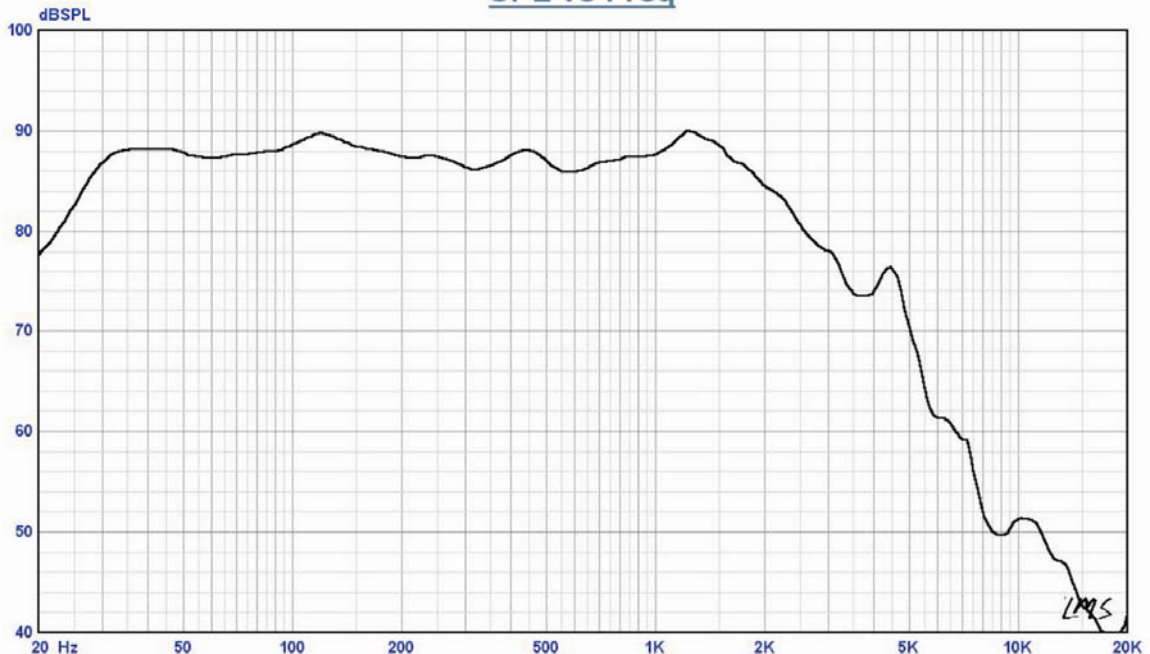


Frequency range	25-2500 Hz
Equivalent volume, Vas	100 L
Compliance, Cms	0,260 mm/N
Mechanical resistance, Rms	4.2 Ns/m
Effective diaphragm/cone area, Sd	531 cm ²
Voice coil diameter	50 mm
Voice coil height	20 mm
Air gap height	8 mm
Linear excursion, Xmax	± 8 mm
Max mechanical excursion	± 16 mm
Nominal impedance (dual)	2 ohm
Voice coil resistance (dual)	1.9 ohm
Voice coil inductance	0,60 mH
Free air resonance, Fs	28 Hz
Sensitivity, Spl (1W/1m)	88 dB
Force factor, Bxl	7.2 Tm
Moving mass, Md	136 g
Qms	5.20
Qes	0,44
Qts	0,40
Nominal power	300 W
Short term max power	600 W
Magnet weight	1808 g
Total weight of driver	5450 g



(mm)

SPL vs Freq



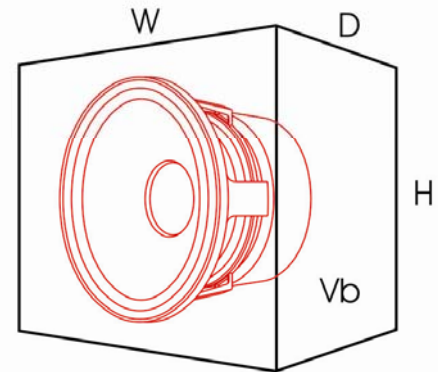


Tec Professional Car Audio

SUB WOOFER PXW12

SEALED ENCLOSURES

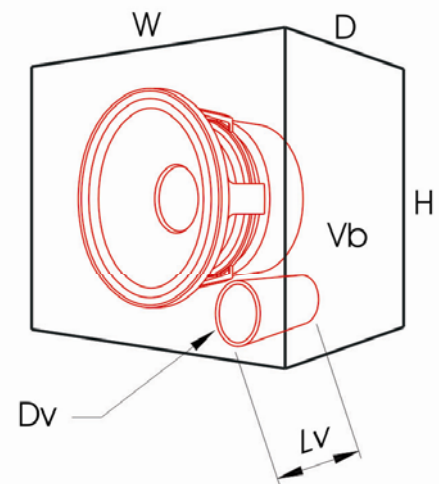
Vb (net)	External Dimensions (mm)		
	W	H	D
32.7 lts	410	350	320



Material - MDF 20 mm

VENTED ENCLOSURES

Vb (net)	External Dimensions (mm)				
	W	H	D	Dv	Lv
45.5 lts	410	350	430	3"	310



Material - MDF 20 mm

E.B. ACOUSTIC & ELECTRONIC RESEARCH

Via S. Bartolomeo , 10 - 28047 OLEGGIO (NO) Italy Ph. 0039 0321 91430 - Fax 0039 0321 94411