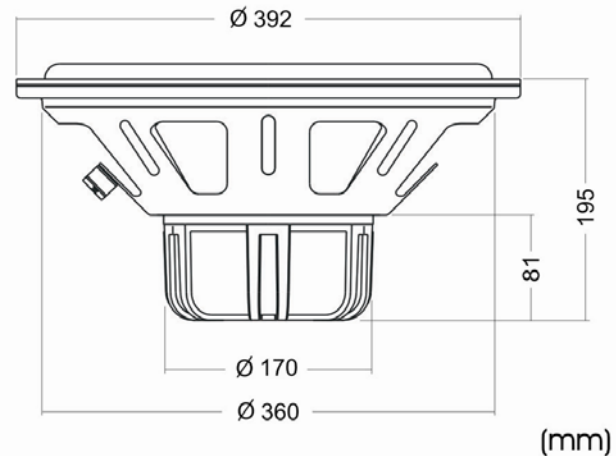
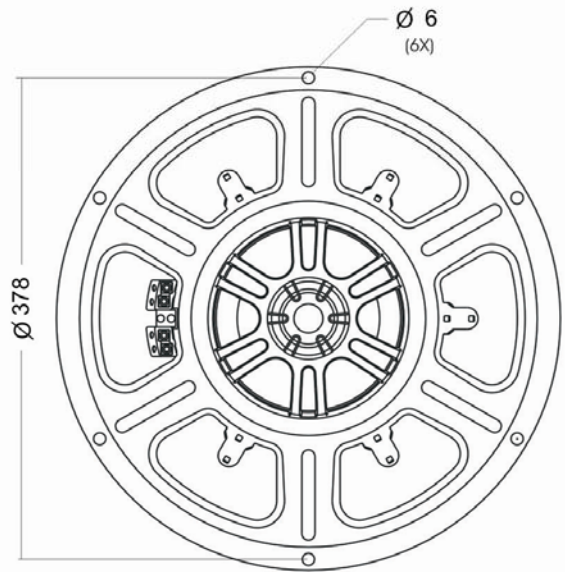
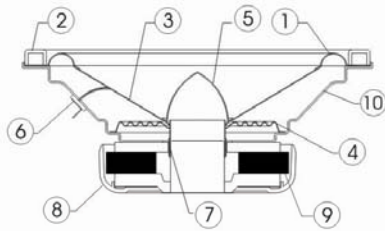




# SUB WOOFER

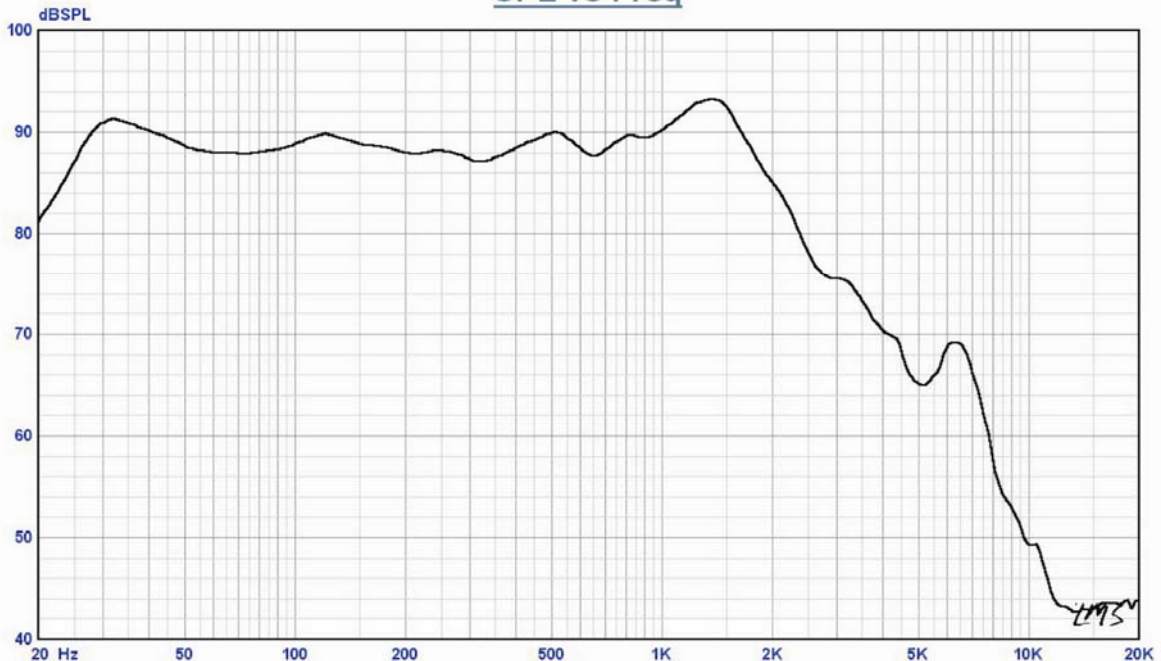
# PXW15

- 1 Surround- TPR material
- 2 Gasket- TPR material
- 3 Cone- PP injected
- 4 Spider- TPR material
- 5 Dust Cap- not present
- 6 Terminal- platinum plated
- 7 Voice coil- 50x20 mm dual fiberglass former
- 8 Magnet system vented 8.0mm, gap height
- 9 Magnet 147x72x28 mm
- 10 Basket frame steel material



Frequency range	20-2000 Hz
Equivalent volume, Vas	260 L
Compliance, Cms	0,170 mm/N
Mechanical resistance, Rms	8.6 Ns/m
Effective diaphragm/cone area, Sd	908 cm <sup>2</sup>
Voice coil diameter	50 mm
Voice coil height	20 mm
Air gap height	8 mm
Linear excursion, Xmax	± 8 mm
Max mechanical excursion	± 16 mm
Nominal impedance ( dual )	2 ohm
Voice coil resistance ( dual )	1.9 ohm
Voice coil inductance	0,62 mH
Free air resonance, Fs	26 Hz
Sensitivity, Spl (1W/1m)	89 dB
Force factor, Bxl	7.5 Tm
Moving mass, Md	220 g
Qms	4.18
Qes	0,56
Qts	0,50
Nominal power	320 W
Short term max power	640 W
Magnet weight	1808 g
Total weight of driver	6330 g

**SPL vs Freq**



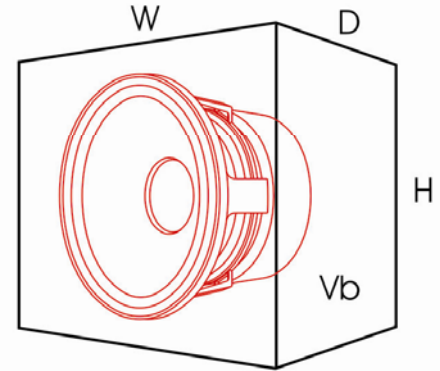


Tec Professional Car Audio

## SUB WOOFER PXW12

### SEALED ENCLOSURES

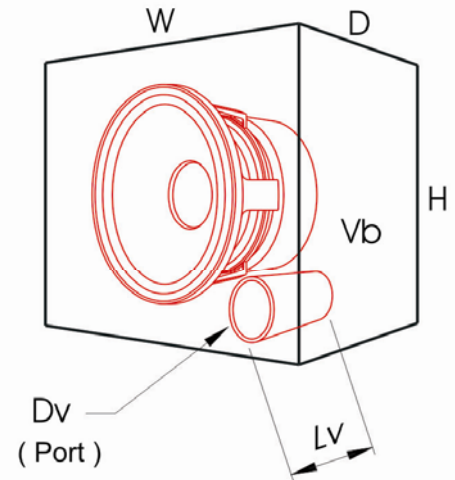
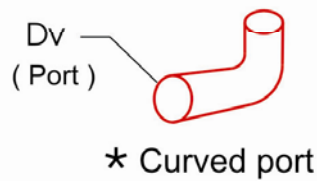
Vb (net)	External Dimensions (mm)		
	W	H	D
52 lts	450	430	360



Material - MDF 20 mm

### VENTED ENCLOSURES

Vb (net)	External Dimensions (mm)				
	W	H	D	Dv	Lv
60.1 lts	450	430	410	4"	* 520



Material - MDF 20 mm

**E.B. ACOUSTIC & ELECTRONIC RESEARCH**

Via S. Bartolomeo , 10 - 28047 OLEGGIO (NO) Italy Ph. 0039 0321 91430 - Fax 0039 0321 94411